

EA300H

2.12T @ 50 MM – 3.94T @ 10MM – 1450Kg

DESCRIPTION

H-Frame Laboratory Electromagnet with removable pole caps.

Specifications

Weight	1450 Kg
Maximum Continuous Field	4.79 T @ 5mm
Distance between coils	155 mm
Temp. Max	45°C
Water Cooling	30 L/min
Resistance @ 20°C	0.40 Ohm
Inductance	800 mH

OPTIONS

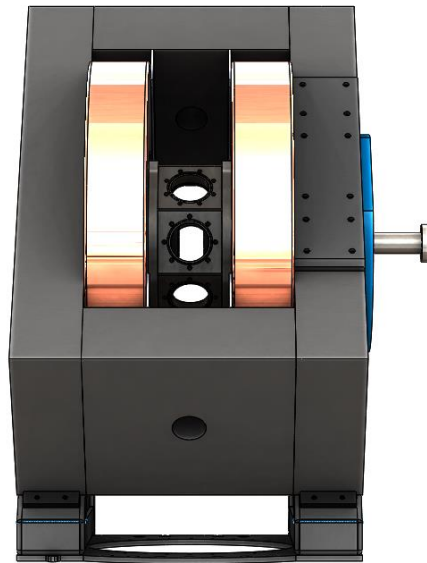
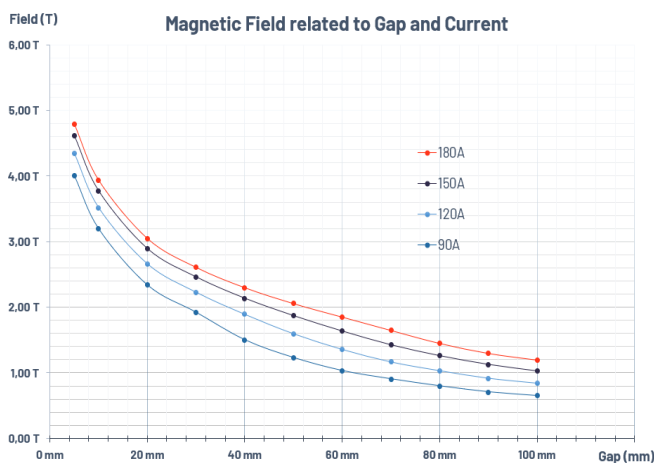
- Special pole caps (cylindrical, conical, drilled poles etc.)
- 45° Chassis
- Motorized Rotating base
- Custom Coils
- AC modulation coils
- UHV Chamber with direct Vacuum Access Through poles

POWER SUPPLY

Power supply for standard coils is proposed:

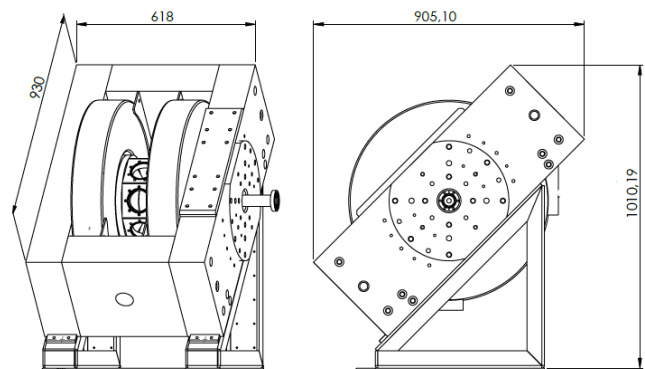
- 90A / 40V / 3.6kW
- 120A / 50V / 6.3kW
- 150A / 70V / 10.5kW
- 180A / 85V / 15.3kW

Options: 10ppm / 5ppm/ 1ppm / HALL Gaussmeter integrated / Hall Regulator / Bipolar 4 quadrants



EA300H with UHV chamber and 45° Chassis

DIMENSIONS



Poles Field and Homogeneity

Gap G	B Max	Face D	Homogeneity / Volume
5 mm	4.79 T	10 mm	2.05% / 3x3x3 mm
10 mm	3.94 T	14 mm	2.48% / 5x5x5 mm
20 mm	3.05 T	42 mm	2.33% / 10x10x10 mm
30 mm	2.61 T	62 mm	1.03% / 20x20x20 mm
40 mm	2.30 T	80 mm	0.81% / 20x20x20 mm
50 mm	2.05 T	90 mm	0.87% / 20x20x20 mm
60 mm	1.85 T	95 mm	0.91% / 20x20x20 mm
70 mm	1.65 T	100 mm	0.75% / 20x20x20 mm
70 mm	1.31 T	300 mm	0.13% / 20x20x20 mm
80 mm	1.45 T	150 mm	0.24% / 20x20x20 mm
90 mm	1.30 T	180 mm	0.16% / 20x20x20 mm
100 mm	1.19 T	200 mm	0.11% / 20x20x20 mm