

EA73C

1.36 T @ 20 MM – 3.92 T @ 2 MM – 34Kg

DESCRIPTION

Lightweight and Powerfull C-Frame Laboratory Electromagnet with removable pole caps

Specifications

Weight	34 Kg
Maximum Continuous Field	3.92 T @ 2mm Gap
Distance between coils	67 mm
Temp. Max	45°C
Water Cooling	8 L/min
Resistance @ 20°C	0.135 Ohm
Inductance	25 mH

OPTIONS

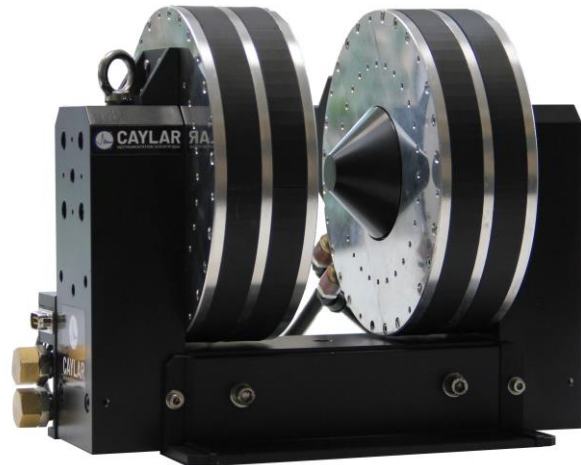
- Special pole caps (cylindrical, conical, drilled poles etc.)
- 90° base
- Rotating base (manual/motorized/Vertical or Horizontal)
- Custom Coils / Poles
- AC modulation coils

POWER SUPPLY

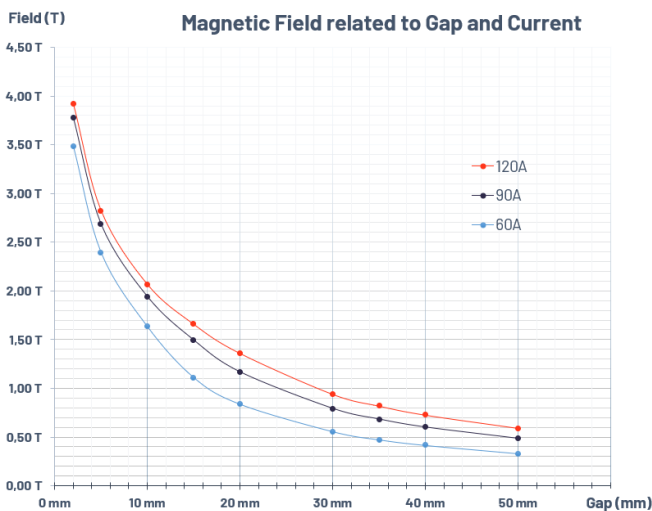
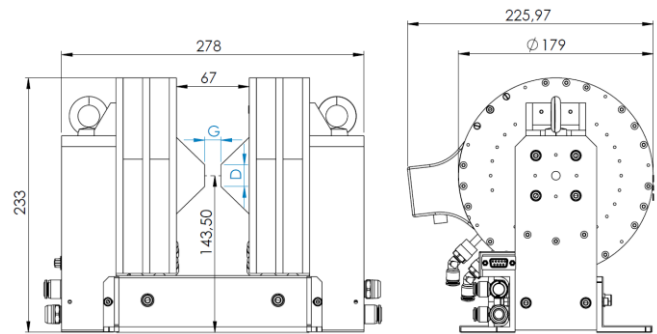
Power supply for standard coils:

- 120A / 20V / 2.4kW

Options: 10ppm / 5ppm / 1ppm / HALL Gaussmeter integrated / Hall Regulator / Bipolar 4 quadrants



DIMENSIONS



Poles Field and Homogeneity

Gap G	B Max	Face D	Homogeneity / Volume
2 mm	3.92 T	5 mm	2.12% / 1x1x1 mm
5 mm	2.82T	7 mm	2.2% / 2x2x2 mm
10 mm	2.07 T	20 mm	1.55% / 5x5x5 mm
15 mm	1.66 T	22 mm	2.13% / 5x5x5 mm
20 mm	1.36 T	25 mm	1.82% / 5x5x5 mm
30 mm	0.94 T	38 mm	1.80% / 8x8x8 mm
40 mm	0.73 T	48 mm	1.29% / 8x8x8 mm
50 mm	0.59 T	60 mm	1.51% / 10x10x10 mm