

EA50H

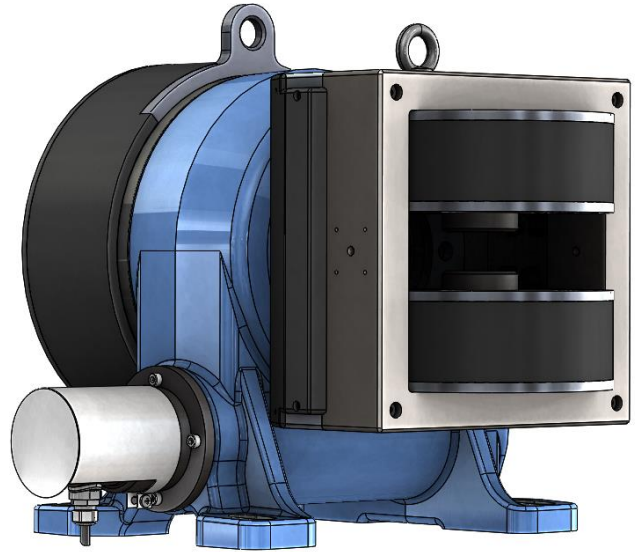
0.98 T @ 20 MM – 2.37 T @ 5 MM – 27Kg

DESCRIPTION

Small H-Frame Laboratory Electromagnet with removable pole caps

Specifications

Weight	27 Kg
Maximum Continuous Field	2.37 T @ 5mm Gap
Distance between coils	43 mm
Max Continuous Power	500 W @ 20A
Water Cooling	3 L/min
Resistance @ 20°C	1.050 Ohm
Inductance	230 mH



EA50H with Vertical rotation base

OPTIONS

- Special pole caps (cylindrical, conical, drilled poles etc.)
- 45° base
- Rotating base (manual/motorized/Vertical or Horizontal)
- Custom Coils / Poles
- AC modulation coils

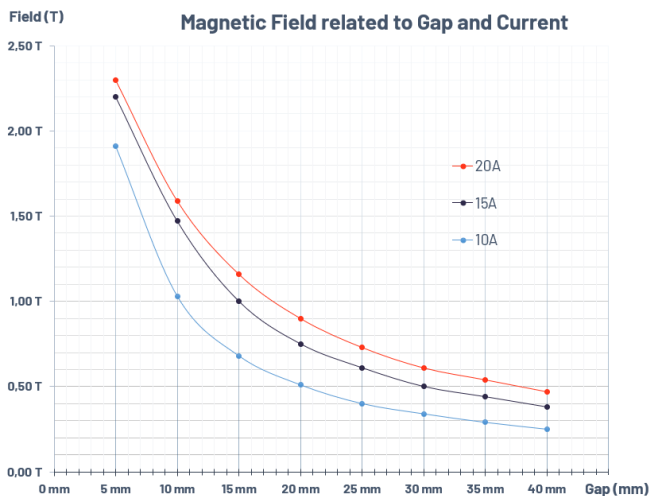
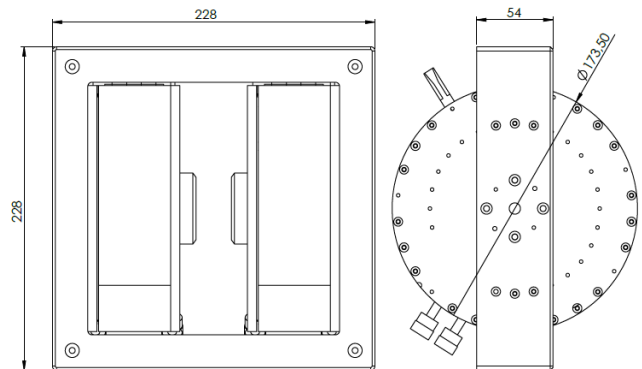
POWER SUPPLY

Power supply for standard coils:

- 20A / 25V / 0.5kW

Options: 10ppm / 5ppm / 1ppm / HALL Gaussmeter integrated / Hall Regulator / Bipolar 4 quadrants

DIMENSIONS



Poles Field and Homogeneity

Gap G	B Max	Face D	Homogeneity / Volume
5 mm	2.30 T	12 mm	0.90% / 3x3x3mm
10 mm	1.59 T	20 mm	1.97% / 5x5x5mm
15 mm	1.16 T	22 mm	1.82% / 5x5x5mm
20 mm	0.90 T	25 mm	1.73% / 5x5x5mm
25 mm	0.73 T	30 mm	1.27% / 5x5x5mm
30 mm	0.61 T	38 mm	0.85% / 5x5x5mm
35 mm	0.54 T	40 mm	0.88% / 5x5x5mm
40 mm	0.47 T	45 mm	0.75% / 5x5x5mm