

EA132C

1.17 T @ 50 MM – 3.84 T @ 5 MM – 158Kg

Lighweight and Powerfull C-Frame Laboratory Electromagnet with removable pole caps

DESCRIPTION

This electromagnet is a C frame electromagnet optimized to be very light and produce high field.

Performances

Weight	158 Kg
Maximum Continuous Field	3.84 T @ 5mm gap
Distance between coils	94 mm
Temp. Max	45°C
Water Cooling	10 L/min
Resistance @ 20°C	0.500 Ohm
Inductance	174 mH

OPTIONS

- Special pole caps (cylindrical, conical, drilled poles etc.)
- 90° base
- Rotating base (manual / motorized)
- Custom Coils
- AC modulation coils

POWER SUPPLY

We propose 4 standards power supplies:

140A / 85V

120A / 70V

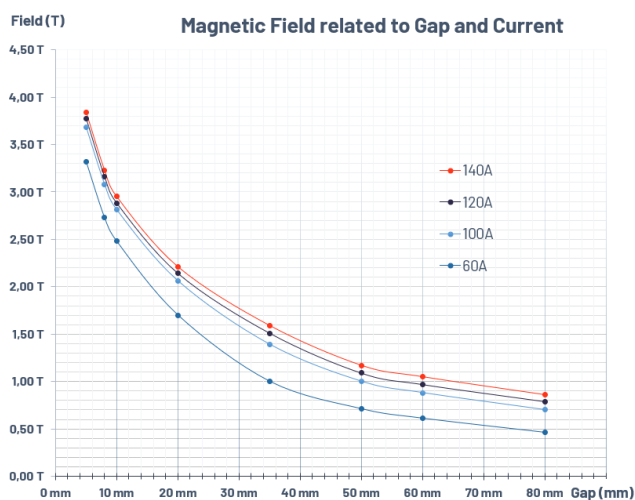
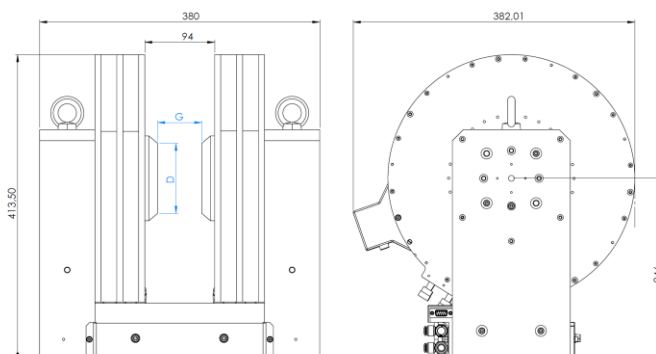
100A / 60V

60A / 35V

Options: 10ppm / 5ppm / 1ppm / HALL Gaussmeter integrated / Hall Regulator / Bipolar 4 quadrants



DIMENSIONS



Poles Field and Homogeneity

Gap G	B Max	Face D	Homogeneity / Volume
5 mm	3.84 T	10 mm	3.09% / 3x3x3 mm
8 mm	3.23 T	15 mm	2.35% / 5x5x5 mm
10 mm	2.95 T	20 mm	2.46% / 8x8x8 mm
20 mm	2.21 T	40 mm	1.33% / 10x10x10 mm
35 mm	1.59 T	70 mm	1.15% / 15x15x15 mm
50 mm	1.17 T	95 mm	0.53% / 15x15x15 mm
60 mm	1.05 T	95 mm	0.78% / 15x15x15 mm
80 mm	0.86 T	95 mm	0.98% / 15x15x15 mm